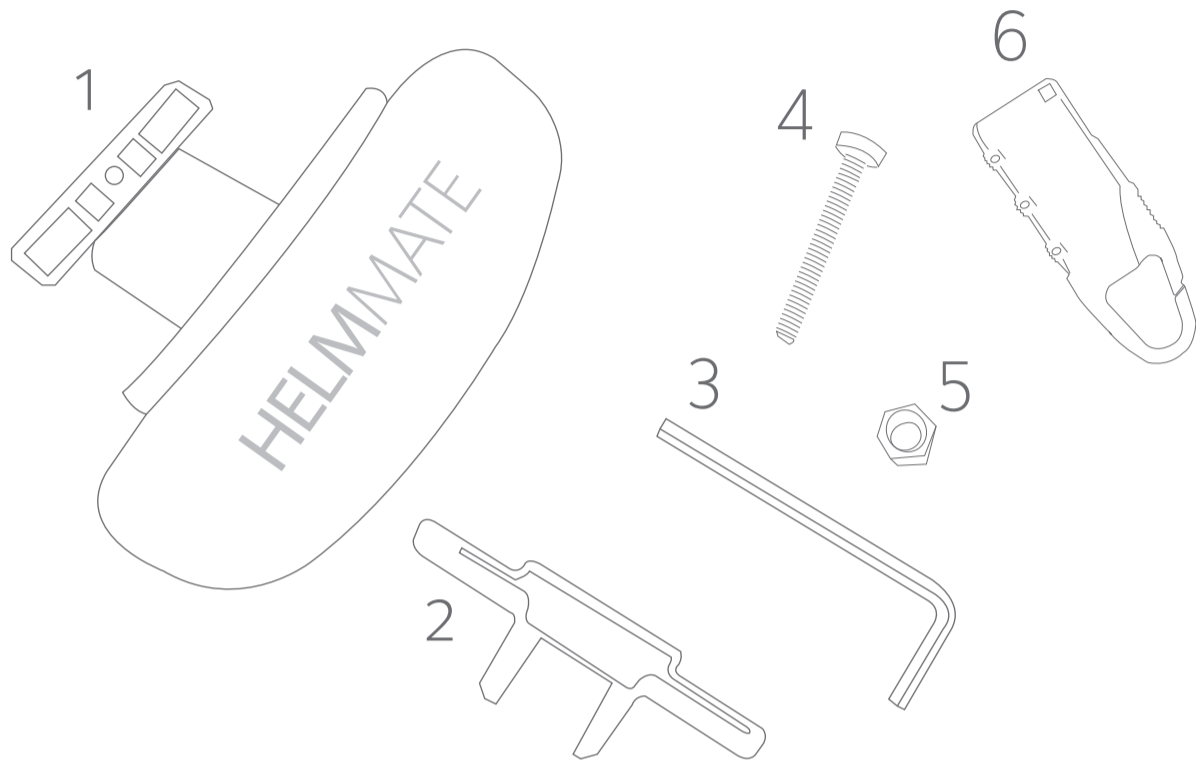
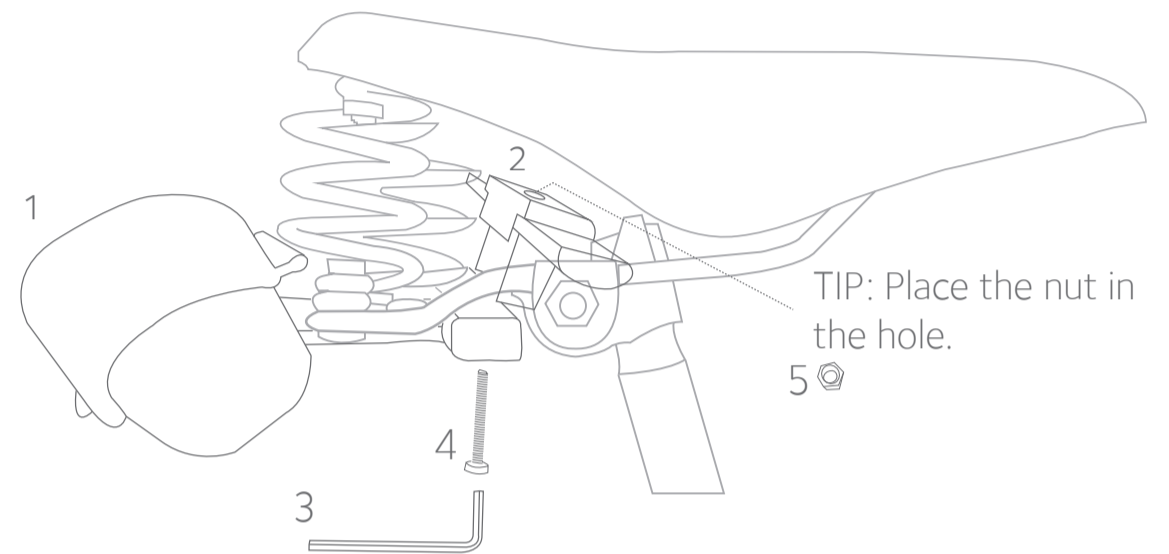


# THIS IS HOW YOU MOUNT YOUR HELMMATE

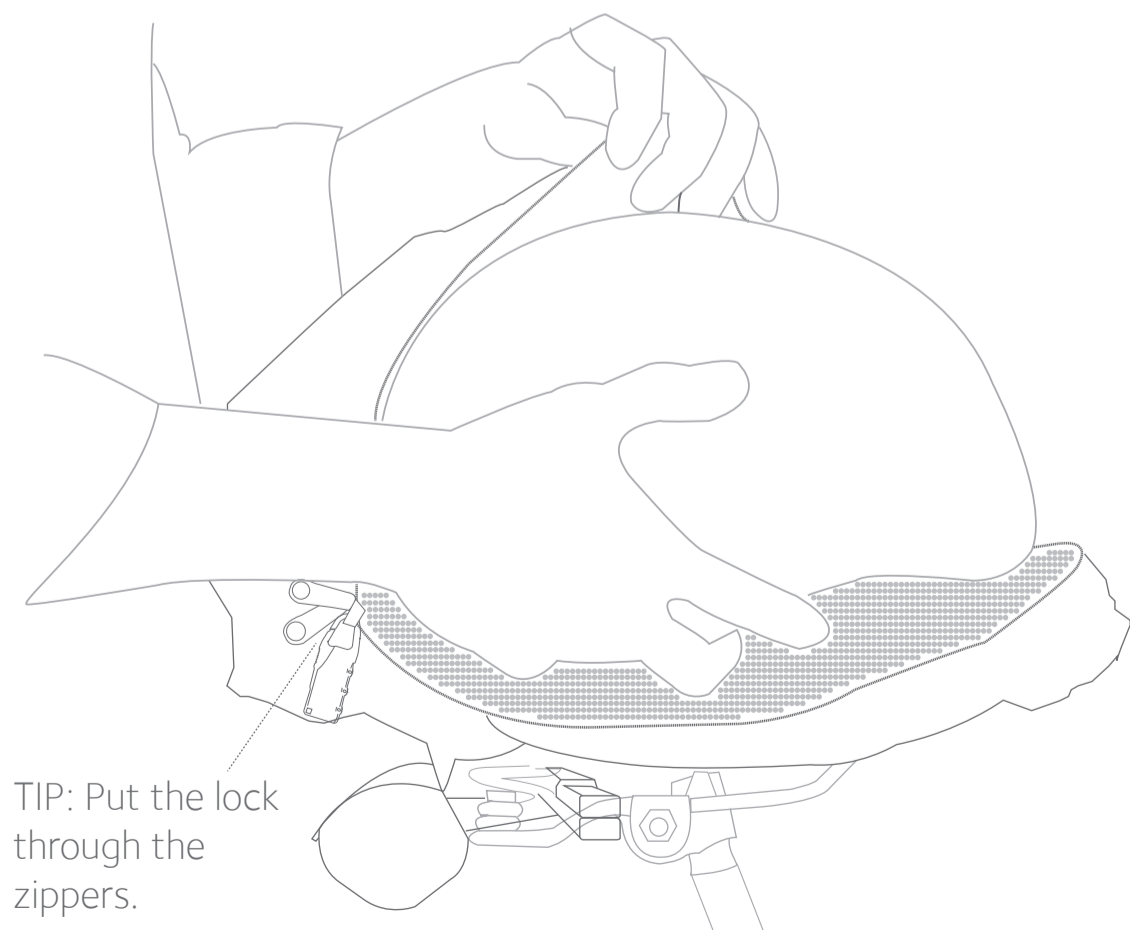
**A** THE HELMMATE KIT: Unpack all 6 components. Ensure that all parts are there. If anything is missing, please do not hesitate to contact us: [mymate@helmmate.com](mailto:mymate@helmmate.com).



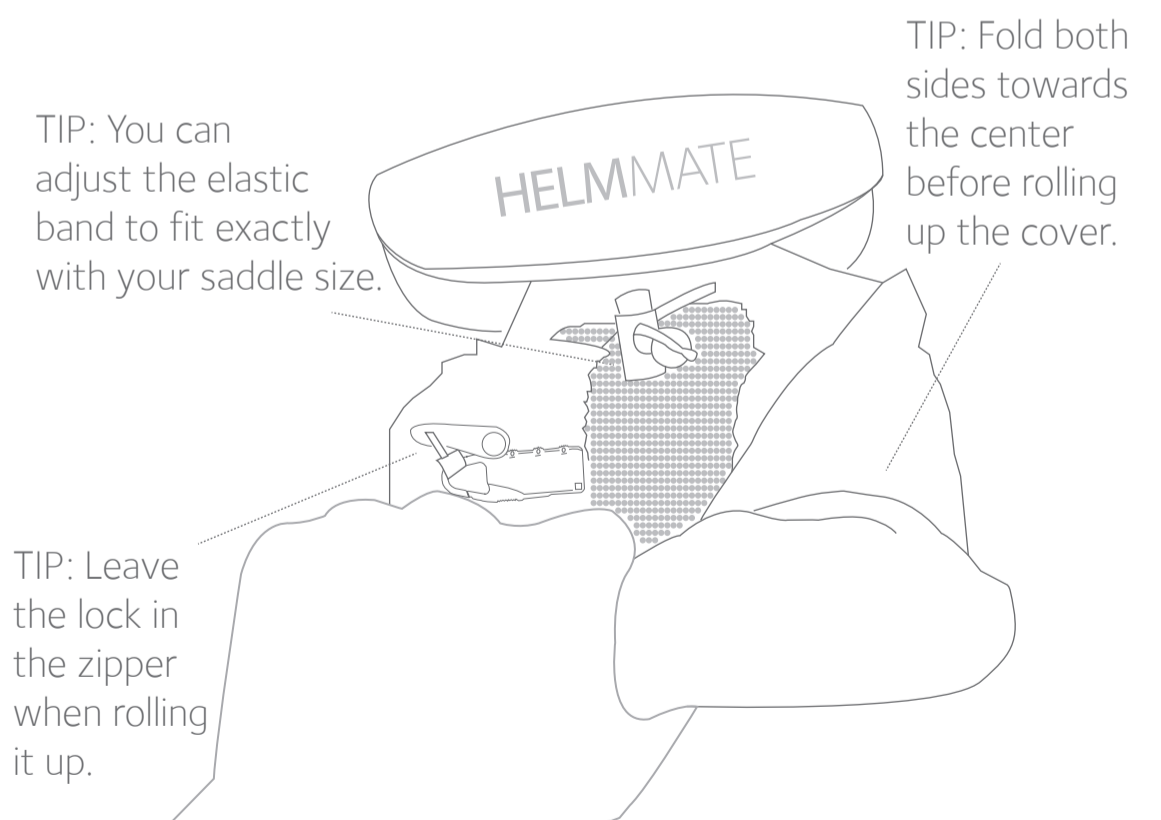
**B** Your HELMMATE is easily mounted using just one Allen screw.



**C** Pull the breathable saddle protector over your saddle, place your helmet inside the cover and close with the zipper. Lock your HELMMATE with the enclosed pad lock.



**D** When your helmet is in use, you roll the cover back into the container.



[www.helmmate.com](http://www.helmmate.com)

| On a very limited number of saddles, mounting the HELMMATE can be a bit challenging. You can get help or get a refund where you have bought your it. |